

T07

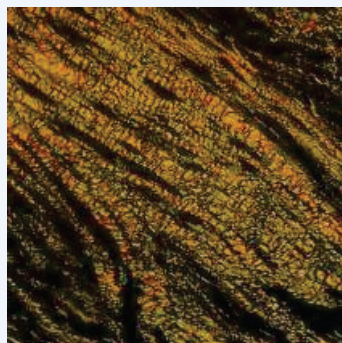
**STENTLESS VALVED PULMONAR CONDUIT**

## LABCOR STENTLESS VALVED PULMONAR CONDUIT

The Labcor Stentless Valved Pulmonar Conduit, consist of a stentless porcine tricomposite valve, assembled inside a bovine pericardium tube, crimped to achieve the stable tubular configuration, glutaraldehyde treated.

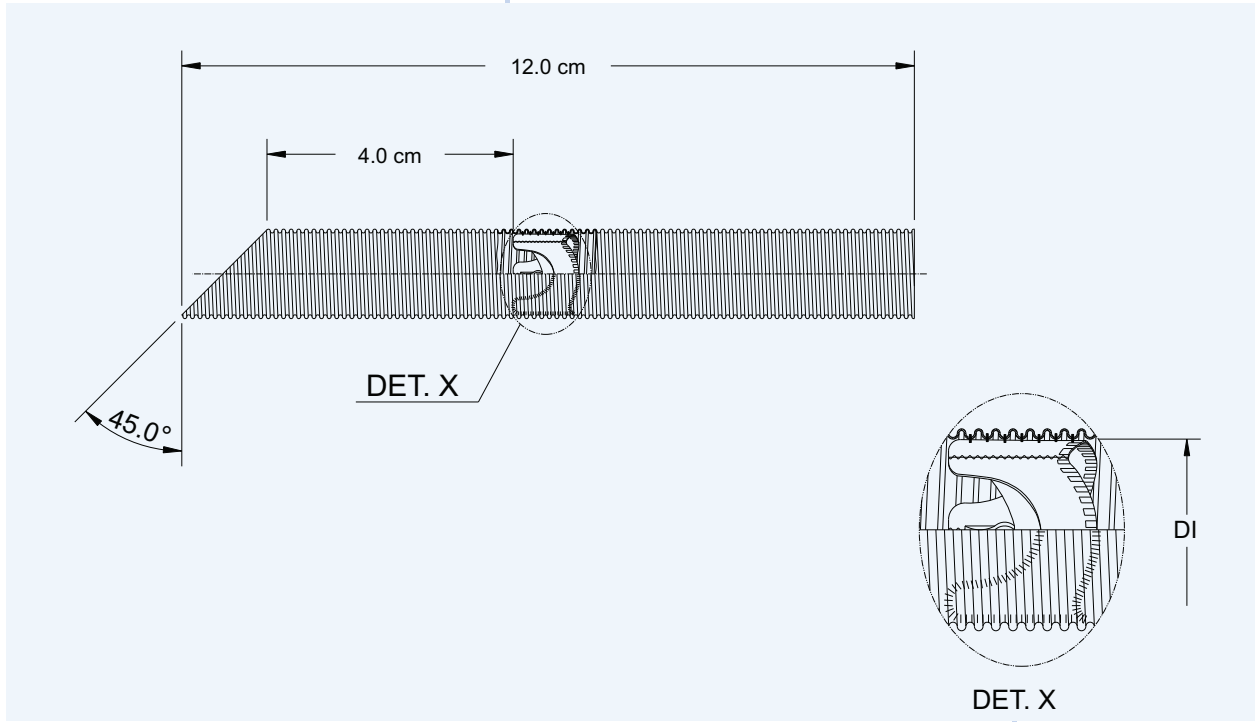
- Excellent hemodynamic with low gradient, result from larger blood flow area due the elimination of muscle shelf cusp;
- The integrity of the tube is optimized with double of suture, each one is interrupted every centimeter;
- Labcor tissue treatment process combines Zero Pressure Fixation and techniques for tissue lipid reduction.

Birefringent banding pattern within the collagen fibers



High concentration of collagen fibers





# Specifications

Catalog Part Number	Tube Diameter ID (mm)	Valve Diameter (mm)	Tube Length (cm)
T07EAIS 05	05	05	09
T07EAIS 07	07	07	09
T07EAIS 09	09	09	12
T07EAIS 11	11	11	12
T07EAIS 13	13	13	12
T07EAIS 15	15	15	12
T07EAIS 17	17	17	12
T07EAIS 19	19	19	12
T07EAIS 21	21	21	12
T07EAIS 23	23	23	12
T07EAIS 25	25	25	12
T07EAIS 29	29	29	12



## Presentation

Labcor Stentless Valved Pulmonar Conduit is presented sterile and non-pyrogenic, immersed in a 0,2% glutaraldehyde solution.



**Labcor Laboratórios Ltda**  
Av. Silva Lobo, 1670 - Nova Granada  
Belo Horizonte/MG - Brasil  
CEP 30431-262  
Tel.: 55 31 3371-1371  
Deptº Comercial 55 21 3722-1600  
contato@labcor.com.br - www.labcor.com.br

**P/N: 99B0071/A**